

Quick Start Guide

BEAM 10R



MACROLITE

www.macrolite.store

Preface

First Thank you very much for choosing our head-shaking beam lamp series products!

This product is a high-performance light source of computer head beam lamp, appearance structure high-end atmosphere, with advanced electronic control technology and excellent human industrial design. The lamp cup and light bulb of this light source are as a whole, the arc length is extremely short, the output brightness is strong and the light angle is small, the average service life of the light source is up to 1500 hours, with rich colors and patterns, two rotating prism and one atomizing effect. Light weight, high vertical and horizontal scanning speed, low operating noise, less than 500W power, energy saving and environmental protection.

Wide application, simple installation; Can be used for large fixed stage lighting, background dyeing, large-scale cultural performances, stadium lighting, temporary stage performances, city lighting system, television station, convention center, professional theatres, parks, dance halls, bars, Small theatrical performances and public lighting.

Security information

After receiving the lamp, please open the package and check for any damage caused by transportation. If there is any damage caused by transportation, please do not use this lamp and link it with the dealer or manufacturer as soon as possible

This manual contains important information about the installation and use of this luminaire product. Please follow these instructions strictly when installing and using.



Please read the whole contents of this manual carefully. (manual of use should be kept with lamps for reference)

In order to ensure the correct, safe installation, use and maintenance of this product, we must understand and follow the contents of this manual.



The manufacturer shall not be liable for lamp, property or personal damage caused by failure to install, use and maintain the requirements of this use Manual.

If you have any other questions about how to operate the equipment safely, please contact the dealer or call the service hotline.



! Warning: the protective screen, lens or lens on the lamp should be replaced if it causes visible damage (that is, to the extent of failure) such as cracks or deep marks



When hanging and installing lights, you must verify that the suspension and lamp hooks can withstand more than 10 times the weight of the lamps and that the installation facilities are not otherwise damaged. After installation, the safety rope must be used as an auxiliary safety means to secure the lamp to other facilities which can bear the weight of the lamp.



The personnel engaged in electrical connection of lamps and lanterns must have the corresponding operating qualification to operate.

When power on, make sure that the supply voltage you use is in accordance with the voltage indicated by the light and has overload or leakage protection.



The minimum distance between any point on the surface of the lamp and any flammable material is 1 m when the lamp is installed and positioned.



Lamps should be dry and avoid being used in wet, overheated or dusty environments.

Ensure normal and stable working environment temperature is not more than 45 °C, the minimum temperature is not more than -20 °C.

$t_a = 45^{\circ}\text{C}$

Under stable heat dissipation conditions, the maximum temperature of the shell surface can reach 75 °C. Do not touch by hand.

When make sure the power supply is off before cleaning or maintenance, and do not pull or drag the power cord

★Special considerations in the use of products

- In order to ensure the service life of the product, this product should not be placed in a wet or leaking place, nor can it work in an environment where the temperature exceeds 60 degrees.
- Do not place this product where it is easy to loose or vibrate.
- In order to avoid the danger of electric shock, please contact a professional for repair of this product.
- When the light bulb is used, the change of the power supply voltage should not exceed

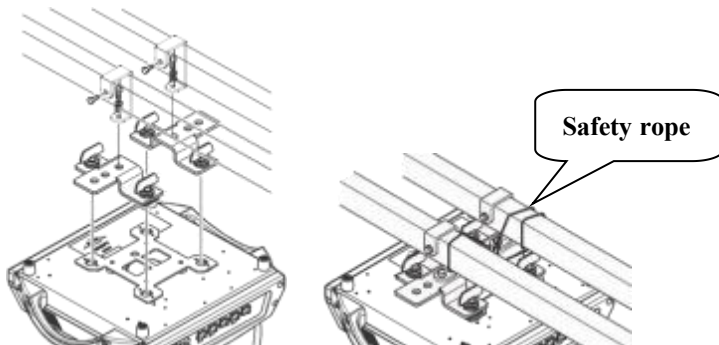
± 10. If the voltage is too high, it will shorten the life of the light bulb, and if the voltage is too low, it will affect the light color of the light bulb

- To ensure the normal use of this product, please read the instructions carefully.
- This light should be kept dry and avoid working in humid conditions.
- Intermittent use will effectively prolong the life of this light.
- In order to achieve good ventilation and lighting effects, always clean the fan net and lens.
- Do not use alcohol and other organic solvents to wipe the shell of the lamp to avoid damage.

★After power off, it takes 20 minutes to fully cool the light before recharging.

★Schematic diagram of lamp hanging

- Lamps can be placed horizontally, slanted and hung upside down. Pay attention to the installation method when hanging oblique and upside down,
- As shown in the following figure, to ensure the stability of the installation site before positioning the lamp, it is necessary to ensure that the lamp does not fall off the support frame when installing the reverse hoist, and that a safety rope is used to pass through the support frame and the lamp handle to carry out the auxiliary hoisting. To ensure safety. Prevent falling and sliding of lights.
- When installing and debugging, the underside is prohibited from passing through. Check regularly whether the safety rope is worn and the hook screw is loosened.
- If the hanging installation is unstable, resulting in all the consequences of falling lamps, we do not accept any responsibility.





After the lamp hanging, be sure to add a safety rope connected to the lampstand!

DMX signal line connection

Lamp DMX signal connection method: output from the controller to the input of the first lamp near the controller, and then from the output end of the lamp to the input end of the next lamp. And so on until the lights are connected.

When the long distance transmission signal (more than 150m or so) or the single lamp more than 30 units, the DMX512 signal amplifier should be added in the middle of the line to ensure the signal connection is stable and normal, and then the terminal is inserted in the last lamp to improve the data transmission quality.

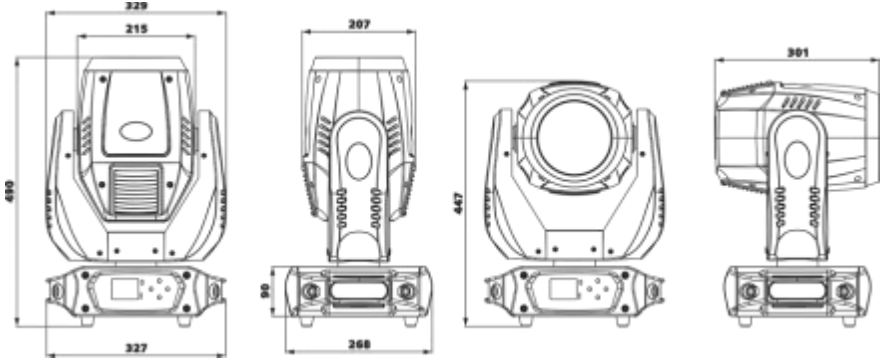
★To ensure stable signal transmission, use shielded twisting cables that conform to DMX512 signal transmission

Product basic parameters

1. Power: 100-240 VX 50 / 60HZ;
2. Power: 350 W;
3. Bulb: Philips MSD Platinum 250w
4. Light bulb life: about 2200 hours, color temperature: 8, 000 K;
5. Horizontal scanning: 540 °. (16bit precision scanning) electronic error correction;
6. Vertical scanning: 270 °. (16bit precision scanning) electronic error correction;
7. Color disk: a color plate, each color disk is composed of 14 color sheets;
8. Pattern plate: 13 pattern effects;
9. Effect wheel: two large-angle rotatable prisms (superposable), double-layer prism/ 16-prism (optional prism);
10. Atomization function colorful color plate;
11. 0-100% mechanical dimming, support mechanical stroboscopic and adjustable stroboscopic effect, support stroboscopic macro function;
12. Multilayer combined lens group optical system, electric focusing, beam angle 0 ~ 4 °. ;
13. Overheating protection;
14. IP protection grade: IP20;

15. Lamp body size: 327 (length) × 268 (wide) × 490 (high) mm;
16. Carton size: 515X440X725;
17. Net weight: 14.5 KG;

Mechanical dimension diagram of lamp body

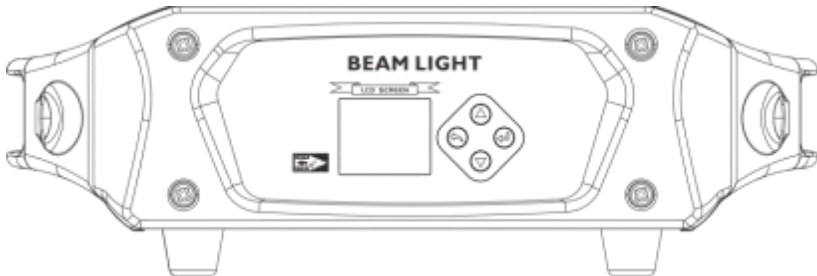


Display operation

Luminaire panel schematic as shown below, TFT display on the left, support for touch operation, encoder knob on the right, can directly operate the lamp or set system parameters.

Display and manipulation are similar to the Android operating system, using fingertips or blunt hard objects to click on the corresponding items.

Note: do not use sharp or sharp objects to click on the display screen to prevent damage.



Display board diagram

Display home operation and function description

Home: Display current DMX address

Signal status: Display the current DMX address, always on or off after 60S, please refer to the description of menu [Display Settings] - [Display Mode].

No signal state: When the external DMX signal is lost, the display will flash intermittently to indicate that there is no DMX signal currently.

Red LED: flicker indicates that the current sound control mode, long light indicates detected an error. You can set the indicator to "automatic" in the menu display Settings-[indicator] to allow the indicator to follow the LED back

Menu structure and function instructions

main menu	Secondary menu	Third level menu
Address setting	1-512	
Lighting setup	Channel mode	<u>Standard/expand</u>
	Operating mode	DMX/Master slave
	X-axis reverse	Off/On
	Y-axis reverse	Off/On
	Lamp control	Off/On
Manual control	Horizontal rotation	0-255
	Horizontal rotation fine adjustment	0-255
	Vertical rotation	0-255
	Vertical rotation fine adjustment	0-255

	Reset	0-255
Lighting information	Time info	Boot time:xxx
		Total time:xxx
		Boot times:xxx
	Sensing detection	Wrong info

	Soft version	Display version VX; xxx
		XY axis version: vx: xxx
		Motor version: Vx:xxx
Factory setting	Password input	0-255
	Horizontal correction	0-255
	Vertical correction	0-255

	Focus correction	Steady light/60s
Lighting Reset	Motor reset	Cancel / execute
	Factory setup	Cancel / execute
Display setup	Language setting	Chinese/English
	Display reverse	Off/on
	Display mode	Steady light / 60s

Address setting: set DMX address

Lamp settings: operating parameter settings.

Channel mode: Set the channel mode, standard mode / extended mode, the specific channel function refers to the channel table.

Operating mode: Set the operating mode.

DMX: Controlled by the DMX512 console.

Master: Run the built-in set program and send the DMX signal as a host to the serial

Lamps under the same signal line.

X-axis reverse: Off/on, set the direction of rotation of the X-axis motor.

Y-axis reverse: Off/on, set the direction of rotation of the Y-axis motor.

Lamp control: turn off/on, turn on the light bulb, select “on”, the light bulb will light up immediately, and the light bulb will be automatically lit when the power is turned on. When “off” is selected, the light bulb will not light up when it is turned on, and it needs to be in the display panel. Operate the lamp or use the console to illuminate the lamp. Refer to the channel table for specific channel values. After the lamp is turned off, the lamp must be in a high temperature state. It must wait for 1~2 minutes and then the lamp can be cooled to a certain temperature before it can be turned on again. If the lamp is turned on in the lamp high temperature operation menu, the lamp will not be lit, waiting for the lamp to cool down, Light up by yourself.

Manual control: manually set the value of the channel

Horizontal rotation: Set the DMX value of the X axis

.....

Lamp information:

Time information: display current lamp usage

Boot time: xxxH, current lamp running time, the unit is hour;

Total time: xxxH, the current running time of the lamp, including the bright bubble time, the unit is hour;

Power On: Displays the current number of times the luminaire is powered on.

Sensing detection: display the status of each sensor, if there is a sensor detection error, it will be displayed here, there is no error.

Mistakes are not displayed.

Software version: display the control program version information of the current fixture

Display version: V.x.xxx, the software version of the current fixture display panel;

XY axis version: V.x.xxx, the version of the current fixture XY axis control program;

Motor version: V.x.xxx, the version of the current control program of the motor except the XY axis;

Factory setting: For factory setting debugging, it is used to correct the initial data of each function. This menu needs to verify the password to operate. If you need to operate, please operate it by a professional or a consulting professional. After the operation changes the data, it cannot be recovered. The data error will affect the normal use of the lamp.

Password input: The value is set between 0 and 255. You need to set the correct factory before setting the subsequent data.

Debug the password, otherwise the debug data cannot be changed. The password can be obtained from the after-sales service.

Horizontal correction: Set the value between 0 and 255 to correct the initial data of the X axis;

.....

Lamp reset:

Motor reset: motor reset

Execution: After pressing the OK button, all motors are reset and the lamps start self-test;

Cancel: Cancel the reset.

Factory setting: The default settings of the fixtures when they are restored to the factory (not including the commissioning data in the factory settings).

display setting:

Language setting: set the display language of the fixture display, Chinese/English switch;

Display reverse: set the display display direction, forward display or reverse display;

Display mode:

Steady on: The screen is always on, and the DMX address is always displayed.

60S: The luminaire automatically turns off the screen display after 60S is illuminated in the case of the signal being turned on.

The DMX signal is intermittently flashing on the display to indicate that there is no DMX signal currently.

Light DMX Channel mode

In the channel table, the [*] number in the channel mode is the corresponding channel mode.

The function is empty.

Channel		DMX value	function
16	20		
1	1		COLOR
		0-4	White
		5-9	White+Color1
		10-14	Color1
		15-19	Color1+Color2
		20-24	Color2
		25-29	Color3+Color3
		30-34	Color3
		35-39	Color3+Color4
		40-44	Color4
		45-49	Color4+Color5
		50-54	Color5
			55-59

		60-64	Color6
		65-69	Color6+Color7
		70-74	Color7
		75-79	Color7+Color8
		80-84	Color8
		85-89	Color8+Color9
		90-94	Color9
		95-99	Color9+Color10
		100-104	Color10
		105-109	Color10+Color11
		110-114	Color11
		115-119	Color11+Color12
		120-124	Color12
		125-129	Color12+Color13
		130-134	Color13
		135-139	Color13+White
		140-149	White
		150-199	FAST ROTATION – SLOW ROTATION
		200-205	STOP
		206-255	SLOW ROTATION – FAST ROTATION
2	2		Stroboscopic / shutter
		0-3	close
		4-103	slow to fast
		104-107	open
		108-207	FAST STROBE-SLOW STROBE
		208-212	open
		213-251	RANDOM SLOW – FAST
		252-255	open
3	3		Dimming
		0-255	Linear dimmer
4	4		Gobo 1
		0-4	white
		5-9	Gobo 1

		10-14	Gobo 2
		15-19	Gobo 3
		20-24	Gobo 4
		25-29	Gobo 5
		30-34	Gobo 6
		35-39	Gobo 7
		40-44	Gobo 8
4	4	45-49	Gobo 9
		50-54	Gobo 10
		55-79	Effect Gobo
		80-87	Gobo 1 shake
		88-95	Gobo 2 shake
		96-103	Gobo 3 shake
		104-111	Gobo 4 shake
		112-119	Gobo 5 shake
		120-127	Gobo 6 shake
		128-135	Gobo 7 shake
		136-143	Gobo 8 shake
		144-151	Gobo 9 shake
		152-159	Gobo 10 shake
		160-183	Effect Gobo shake
		184-217	FAST ROTATION - SLOW ROTATION
		218-221	STOP
		222-255	SLOW ROTATION - FAST ROTATION
5	5		Prism1
		0-127	Reserve
		128-255	prism1
6	6		Prism2
		0-127	Reserve
		128-255	prism2
7	7		Prism 2 position and rotation
		0-127	Prism 2 position and rotation
		128-190	Prism 2 reverse rotation, fast to slow
		191-192	Prism 2 stop rotation
		193-255	Prism 2 forward rotation, from slow to fast

8	8		Frost
		0-127	white
		128-191	Frost
		192-255	6 Colors
9	9		Focus
		0-255	Focus from far to near
10	10	0-255	Pan 8 bit
11	11	0-255	Pan 16bit
12	12	0-255	Tilt 8bit
13	13	0-255	Tilt 16bit
14	14	0-255	P/T Speed
15	15	0-255	Reserve
16	16		function
		130-139	Lamp ON
		220-229	Reset
		230-239	Lamp OFF
*	17	0-255	empty
*	18		Color speed
		0-255	Fast to slow
*	19		Gobo speed
		0-255	Fast to slow
*	20		Focus speed
		0-255	Fast to slow

Matters needing attention in use

- Check whether the local power supply meets the requirements of rated voltage, leakage protector, overcurrent protector, etc. Do not use insulation layer damaged power cord, can not be connected to other wires;
- Lamps and lanterns use strong wind refrigeration, easy to accumulate dust, must be cleaned once a month, especially heat vent, otherwise it will be blocked by dust accumulation, resulting in poor heat dissipation, so that lamps and lanterns appear abnormal.
- When installing lamps and lanterns, the fixed screws must be fastened and fitted with safety cables and checked regularly;
- When the lamp is installed and positioned, any point on the surface of the lamp should not be directly installed on the surface of the combustible substance with a minimum distance of 10 m and a distance of 4 m from the exposed object;
- The continuous working time of lamps and lanterns should not exceed 10 hours, the interval time of continuous starting lamps should not be less than 10 minutes, otherwise, it can not be triggered normally because of the overheating protection of the light bulb;
- The closing time of the switch valve should not exceed 5 minutes. If it is necessary to close the light for a long time, the control station (the lamp gun control channel) should be used to turn off the lamp gun;
- In order to ensure better compliance with the scene effect, lamps should not always be in the current scene, that is, start the next scene action, preferably this state should not exceed 3 minutes, to ensure that multiple lamps can run synchronously.
- In the process of using, if the lamps and lanterns appear abnormal, they should stop using the lamps and lanterns in time, so as to prevent from inducing other malfunctions;

Common trouble and usage notice

★Lamps and lanterns contain professional components such as microcomputer circuit board, high voltage power supply, etc. For your safety and product life, non-professionals should not disassemble lamps and related accessories without authorization

★The light bulb is not bright

Possible cause: the bulb is not fully cooled, or the bulb has reached its lifetime, which is handled as follows:

Because of abnormal operation, the bulb is not completely cooled, should let the lamp body cooling for more than 10 minutes, so that its internal complete return to normal state, and then start the power supply again;

Check whether the bulb has reached its useful life and replace the new bulb;

Check whether the light bulb and lamp burner line is leaking, falling off or not in contact;

Replace the new lamp lighter.

★The beam looks dim

Possible cause: the bulb is used for a long time or the light path is not clean. The treatment is as follows:

Check whether the bulb has reached its useful life and replace the new bulb;

Check that the optical parts or light bulbs are clean, that there is dust on the light bulbs and other optical devices, and that the light bulbs and components in the lamps should be cleaned and maintained regularly.

★Pattern projection ambiguity

Check if the electron focus channel value is appropriate for the current projection distance.★To work intermittently with lamps.

Possible cause: the internal lines are in a protective state and are handled as follows:

Check if the fan is running normally or whether it is dirty, causing the lamp internal temperature to rise;

Check that the internal temperature control switch is closed;

Check that the bulb has reached its useful life and replace the new bulb.★The lamp is not controlled by the control desk after normal reset

Possible cause: signal line failure or abnormal setting of luminaire parameters, handle as follows:

Check the initial address code and check the connection of the DMX signal wire (signal cable is intact and the head connection is loose);

Add signal amplifier, add 120 ohms terminal resistance;

Check the luminaire parameter settings to ensure that the lamp is in "DMX mode",

★Light cannot start

Possible cause:poor power line,handle as follows:

Check if the safety on the power input socket is molten and replace the safety;

The vibration of lamps and lanterns in long-distance transportation leads to poor contact with the line.



experience the light

MACROLITE

www.macrolite.store

© MACROLITE is a registered trademark
Document Number 001|Vs1|28, Feb 2026
Specifications subject to change without prior notice.